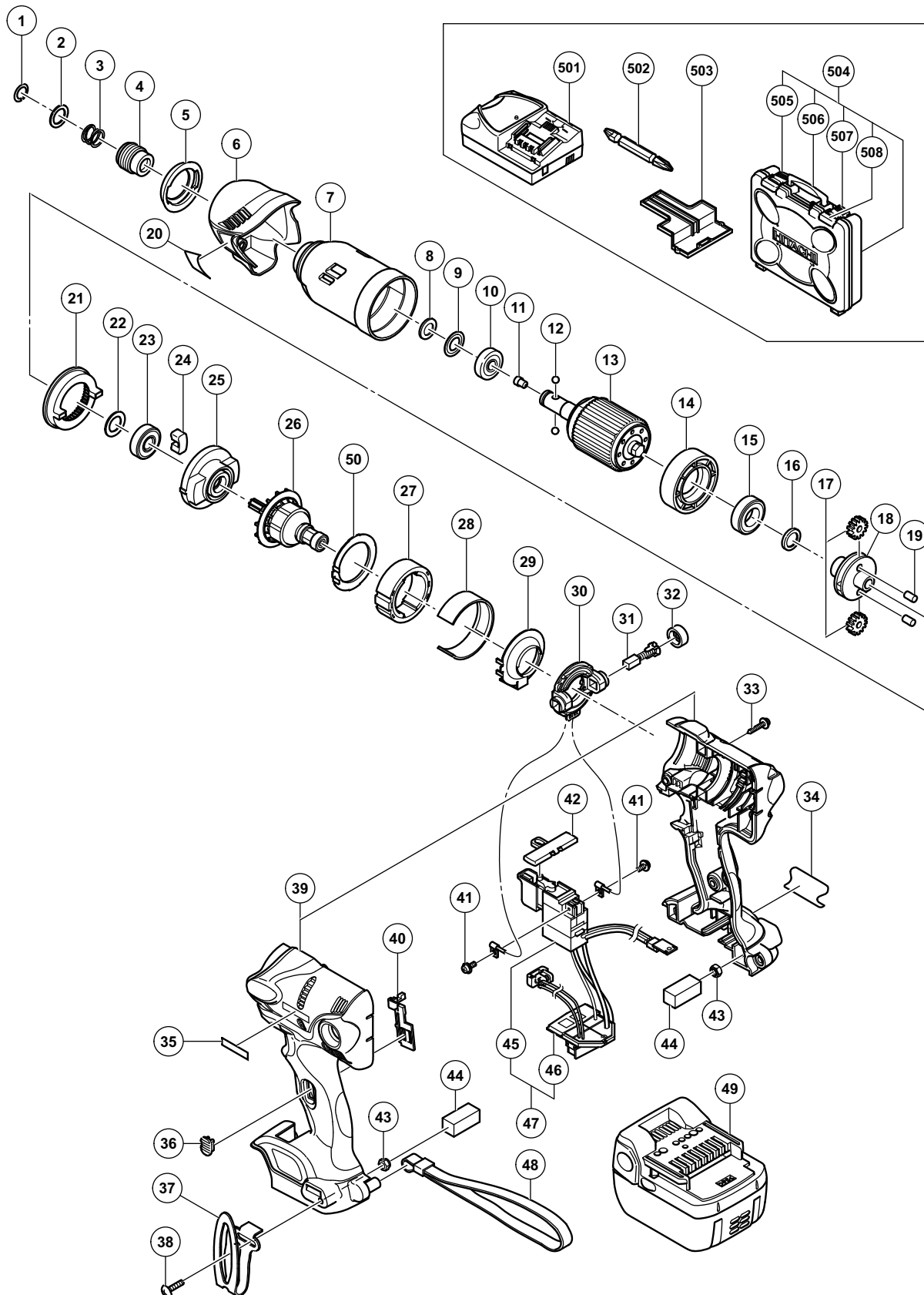


ELECTRIC TOOL PARTS LIST

■ CORDLESS OIL PULSE DRIVER
Model WP 14DSL

2010·10·6

(E2)



PARTS

WP 14DSL

ITEM NO.	CODE NO.	DESCRIPTION	NO. USED	REMARKS
1	995-933	RETAINING RING	1	
2	307-899	RETAINER	1	
3	995-931	GUIDE SPRING	1	
4	307-782	GUIDE SLEEVE (A)	1	
5	322-239	FRONT CAP	1	
6	331-958	FRONT COVER	1	
7	331-833	HAMMER CASE	1	
8	322-218	FELT PACKING	1	
9	322-219	PACKING WASHER	1	
10	322-220	BALL BEARING 6801VVCMSRL	1	
11	996-184	BIT PIECE	1	
12	959-148	STEEL BALL D3.175 (10 PCS.)	2	
13	331-835	PULSE UNIT	1	
14	322-217	BEARING COVER	1	
15	690-2VV	BALL BEARING 6902VVCMP2L	1	
16	313-058	WASHER	1	
17	326-295	IDLE GEAR SET (2 PCS.)	2	
18	322-221	GEAR HOLDER	1	
19	319-914	NEEDLE ROLLER	2	
20		HITACHI LABEL	1	
21	326-787	RING GEAR(E)	1	
22	319-911	WASHER (E)	1	
23	323-118	BALL BEARING 6901VV-N	1	
24	319-909	DAMPER	2	
25	326-786	INNER COVER(D)	1	
26	360-752	ARMATURE DC 14.4V	1	
27	322-744	MAGNET (D)	1	
28	324-828	YOKE (A)	1	
29	324-830	DUST GUARD FIN (C)	1	
30	321-662	BRUSH BLOCK	1	
31	999-054	CARBON BRUSH 5 X 6 X 11.5 (1 PAIR)	2	
32	319-918	BRUSH CAP	2	
33	301-653	TAPPING SCREW (W/FLANGE) D4 X 20 (BLACK)	9	
34		NAME PLATE	1	
35		HITACHI PLATE	1	
36	326-783	LEVER(B)	1	
37	330-666	HOOK	1	
38	327-001	TRUSS HD. SCREW M4 (BLACK)	1	
39	329-710	HOUSING (A).(B)SET (GREEN)	1	
40	326-782	LEVER(C)	1	
41	994-532	MACHINE SCREW (W/SP. WASHER) M3 X 5	2	
42	321-661	PUSHING BUTTON (A)	1	
43	327-002	LOCK NUT M4 (BLACK)	2	
44	327-004	PACKING	2	
45	326-784	DC-SPEED CONTROL SWITCH	1	
46	329-708	CONTROLLER	1	
47	329-707	SWITCH ASS'Y	1	
48	306-952	STRAP (BLACK)	1	
49	330-068	BATTERY BSL 1830 (EUROPE, AUS, NZL)	2	
50	323-327	SIDE YOKE	1	

STANDARD ACCESSORIES

WP 14DSL

ITEM NO.	CODE NO.	DESCRIPTION	NO. USED	REMARKS
501		CHARGER (MODEL UC18YRSL)	1	
502	983-006	+ DRIVER BIT NO.2 65L	1	
503	329-897	BATTERY COVER	1	
504	329-440	CASE ASS'Y	1	INCLUD.505-508
505	324-096	KNOB (L) DARK GRAY	1	
506	324-090	HANDLE (DARK GRAY)	1	
507	324-099	KNOB (R) DARK GRAY	1	
508	324-093	LATCH (DARK GRAY)	2	

OPTIONAL ACCESSORIES

ITEM NO.	CODE NO.	DESCRIPTION	NO. USED	REMARKS
601	992-671	+ DRIVER BIT (B) NO.2 50L	1	
602	992-672	+ DRIVER BIT (B) NO.3 50L	1	
603	321-823	DRILL CHUCK AND ADAPTER SET	1	