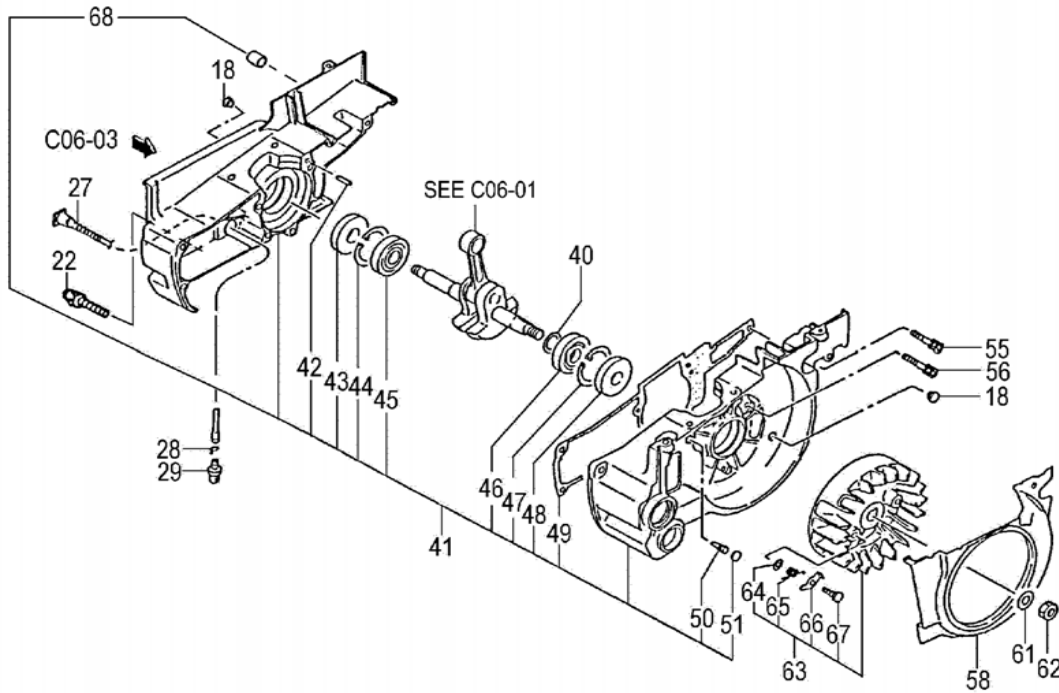


C06
02

ECV-3801 CRANK CASE



Parts List

Ref.	Part No.	Description	Q'ty	Serial No.
018	222-3252K-21	SIDE DUMPER	2	
022	990-53050-353	HEX HOLE SCREW 5X35	1	V235001 -
027	515-3252K-20	OIL PIPE A	1	
028	680-04019-21	CLIP 7	1	
029	486-32530-80	OIL FILTER BODY COMP.	1	
040	071-04063-21	SHIM 0.1	V	
040	071-04063-23	SHIM 0.2	V	
040	071-04063-24	SHIM 0.3	V	
040	071-04063-25	SHIM 0.4	V	S291871 -
041	072-0406E-90	CRANK CASE ASS'Y	1	
042	999-05041-201	KNOCK PIN 4X12	2	
043	999-66123-219	OIL SEAL ISMX12325.5	1	
044	993-51032-002	STOP RING C-32, INNER	1	
045	999-61620-106	BALL BEARING 6201 A2C3,32MM/OD	1	
046	999-61620-106	BALL BEARING 6201 A2C3,32MM/OD	1	
047	993-51032-002	STOP RING C-32, INNER	1	
048	999-66123-219	OIL SEAL ISMX12325.5	1	
049	090-04063-22	CRANKCASE GASKET	1	
050	562-04060-20	AIR VENT VALVE B	1	
051	566-04063-20	AIR VENT COVER	1	
055	994-61050-184	HEX. HOLE BOLT 5X18/S	3	
056	994-61050-304	HEX. HOLE BOLT 5X30S	3	
058	132-04063-20	AIR DEFLECTOR	1	
061	992-01080-011	WASHER 8	1	
062	991-01080-011	HEX. NUT 8	1	
063	155-21541-90	MAGNETO ROTOR ASS'Y	1	
064	182-01700-20	SPECIAL WASHER	2	
065	790-04063-20	PAWL SPRING	2	
066	788-01700-20	STARTER PAWL	2	
067	793-10200-20	STEP BOLT	2	
068	217-3252K-20	HANDLE DAMPER	1	V181301 -

